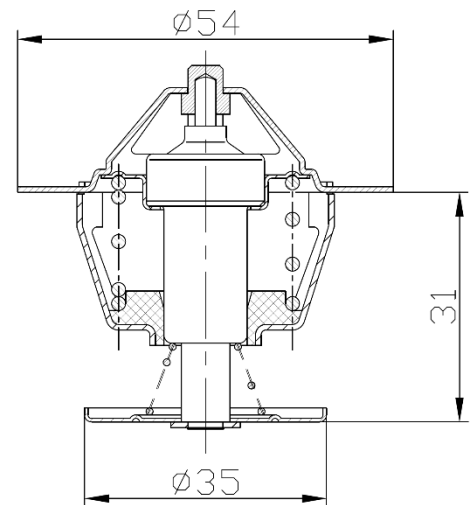


Two-way thermostat

- Opening temperature according to customer request
- Unique designed characteristic
- Common development with customer
- Brass material for faster reaction
- Optionally vibration damper and/or gasket

Opening temperature	Temperature of full opening	Max stroke
37°C	55°C	8 mm
75°C	90°C	7 mm



Technical parameters

Maximum permissible temperature	+120°C
Possible operation range	+25–95°C
Possible flow rate	1000–4000 ml/min
Vibration damper	yes
Gasket	optional